

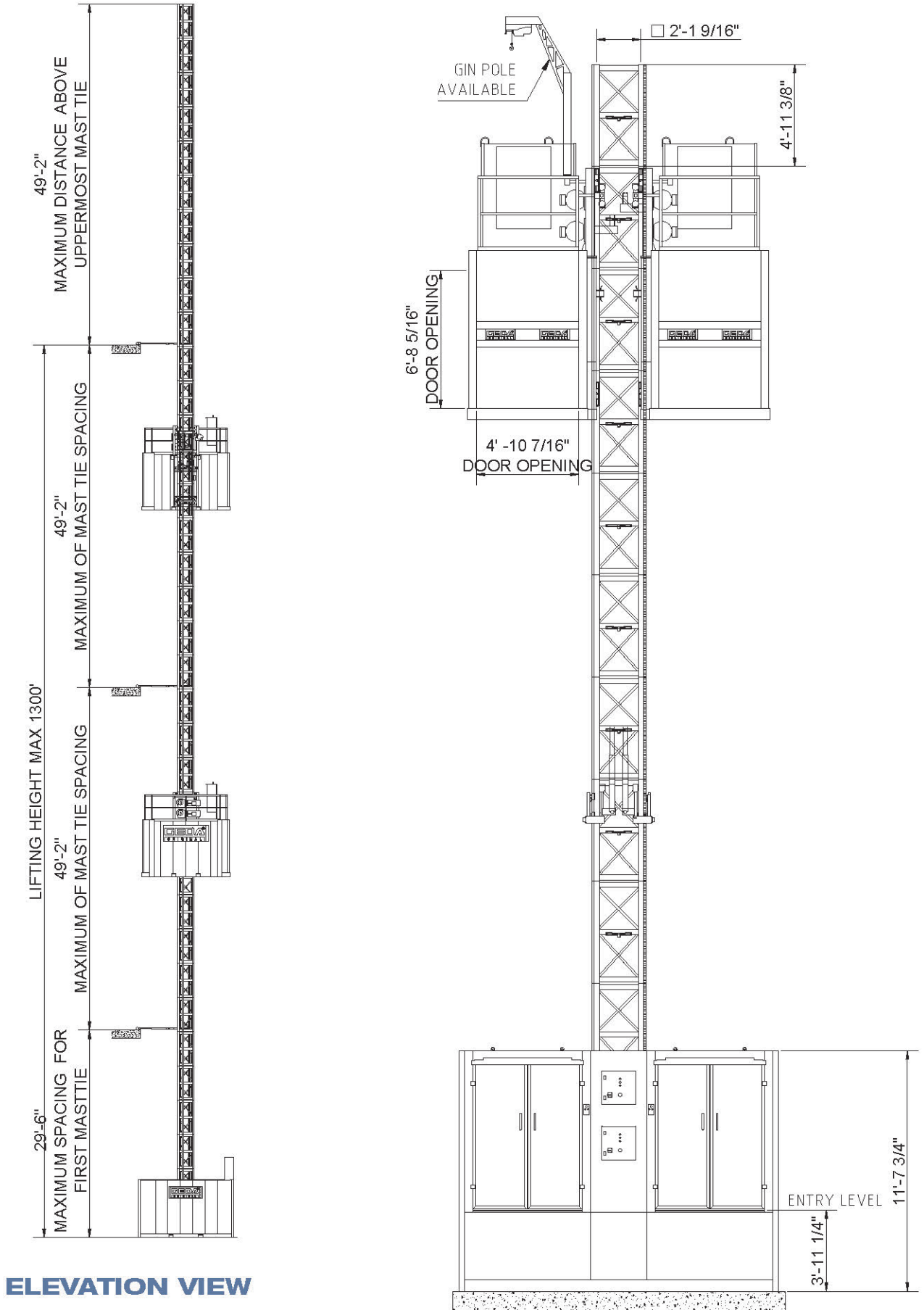


GEDA USA, LLC

1151 Butler Rd. • League City, TX 77573

Phone: 713-621-7272 • Fax: 713-621-7279 • Toll-Free: 1-866-973-4332

www.gedausa.com • sales@gedausa.com



LANDING DOOR:
- 5'-1/4" (MIN DOOR
OPENING WIDTH)
- 6'-11" (MIN DOOR
OPENING HEIGHT)

LANDING DOOR, THRESHOLD
AND HOISTWAY PROTECTIONS
BY CONTRACTOR

LANDING SILL
IF REQUIRED
BY CONTRACTOR

2 3/16"
MAX. GAP PER
ANSI 10.4

MAST SECTION

MAST TIE

CABLE TROLLEY

CABLE GUIDE

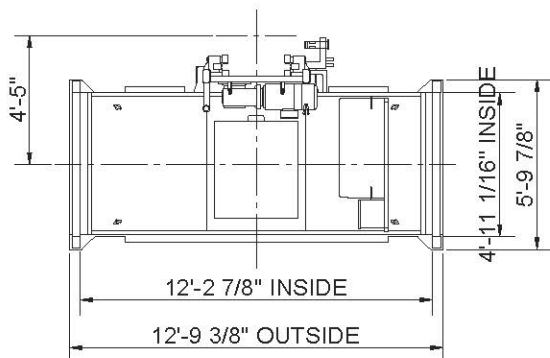
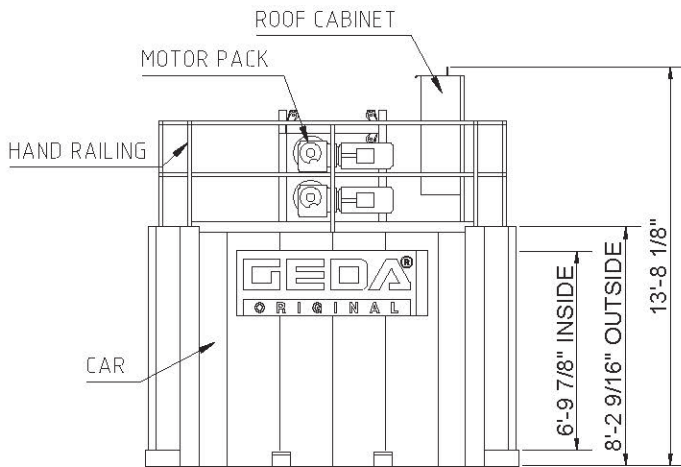
BASE ENCLOSURE

STRUCTURE

8'-4 7/8"

ENTRY LEVEL
ENTRY RAMP/DOCK
BY CONTRACTOR
PER ANSI 10.4

DIMENSIONS CAR

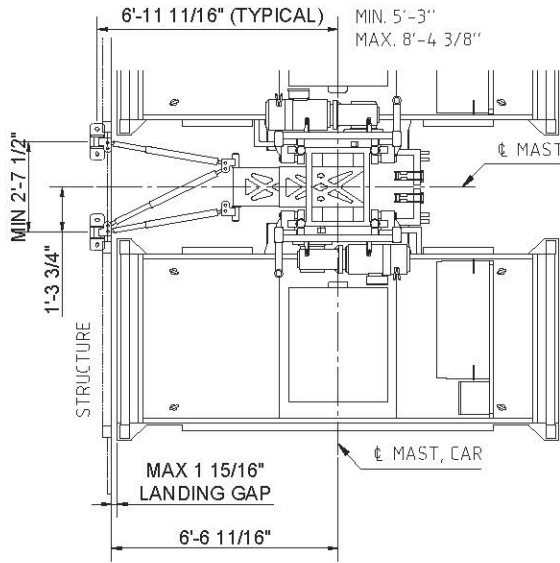


HOIST CAR

ENTRY LEVEL

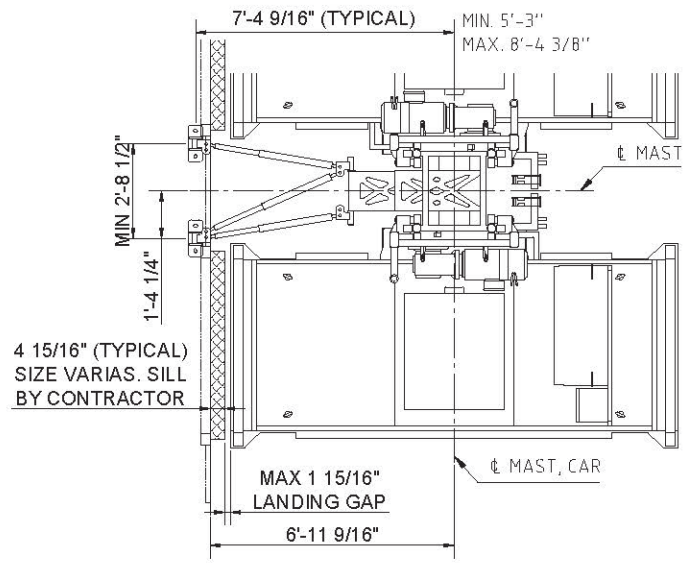
ENTRY RAMP/DOCK
BY CONTRACTOR
PER ANSI 10.4

TIE IN DETAILS - SLAB MOUNTED

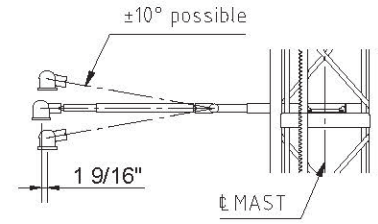
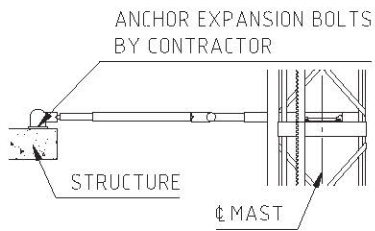


ELEVATION VIEW

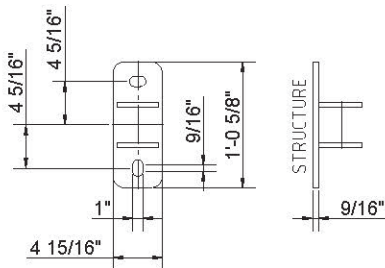
TIE IN DETAILS - SLAB MOUNTED WITH LANDING SILL



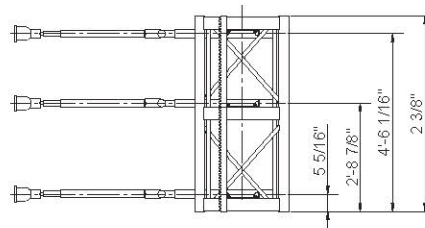
INCLINATION DETAILS



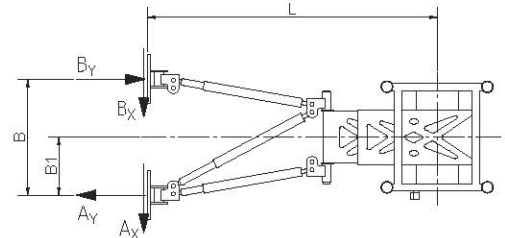
TIE IN PLATE



ATTACHMENT POINTS



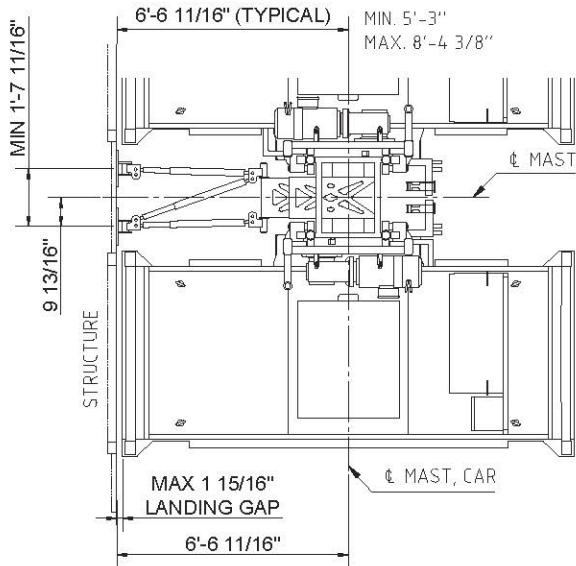
TIE IN LOADS



PLEASE SEE GEDA INSTALLATION MANUAL FOR TIE IN LOADS

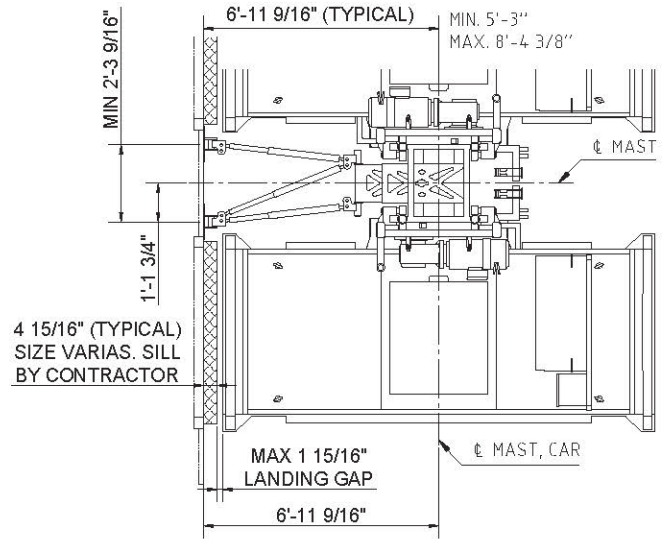
ALTERNATE MAST TIES OR ANCHORING DISTANCES AVAILABLE. CONTACT GEDA FOR INFORMATION.

TIE IN DETAILS - WALL MOUNTED

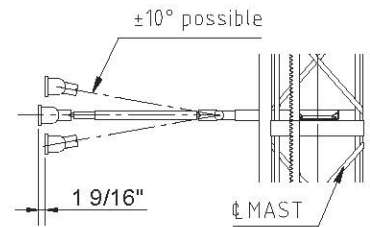
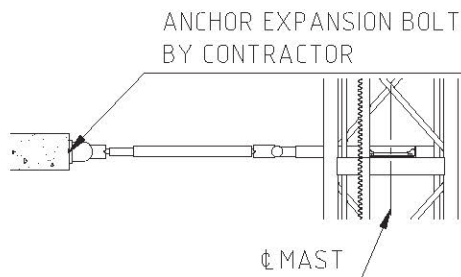


ELEVATION VIEW

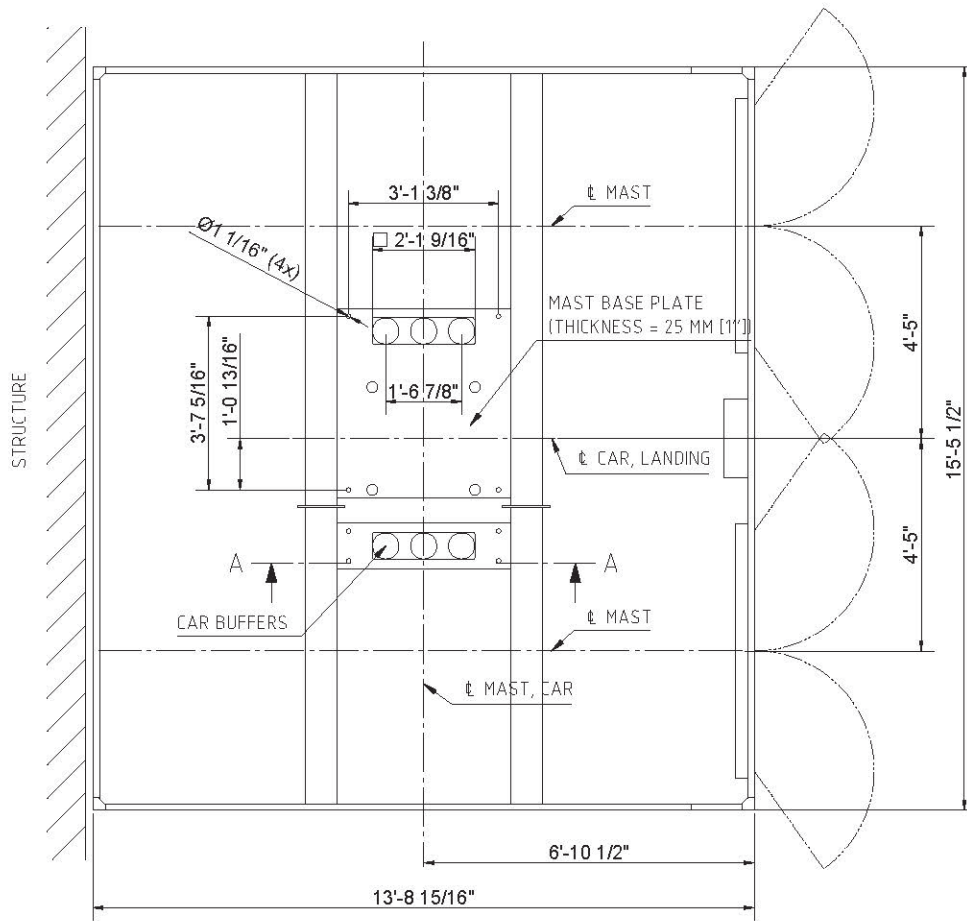
TIE IN DETAILS - WALL MOUNTED WITH LANDING SILL



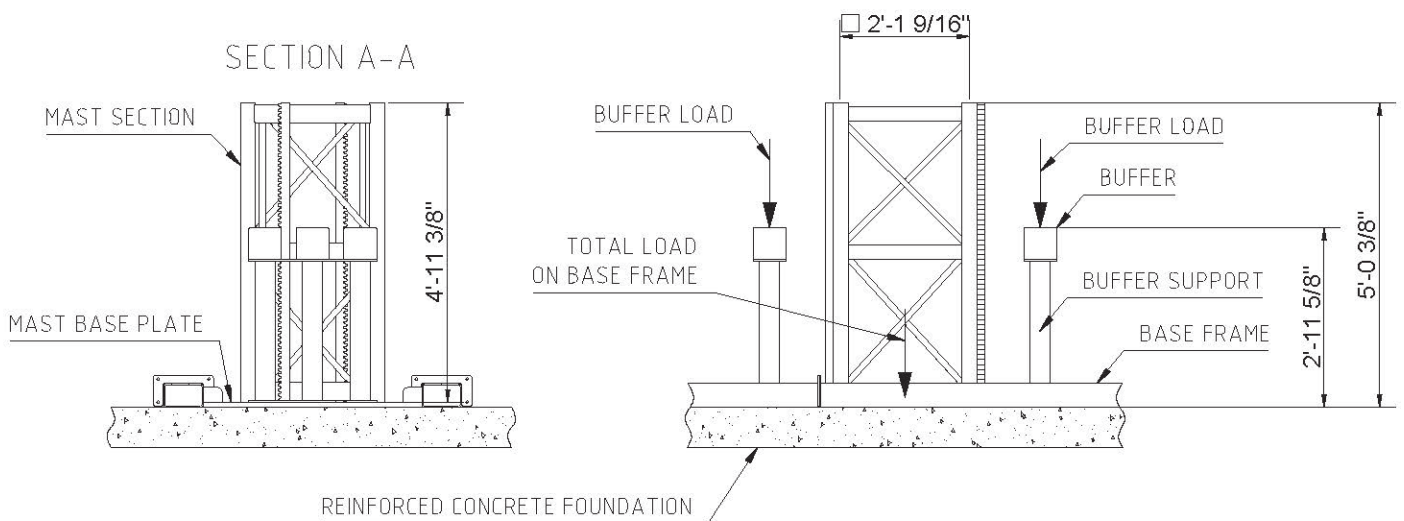
INCLINATION DETAILS



PLAN VIEW BASE ENCLOSURE

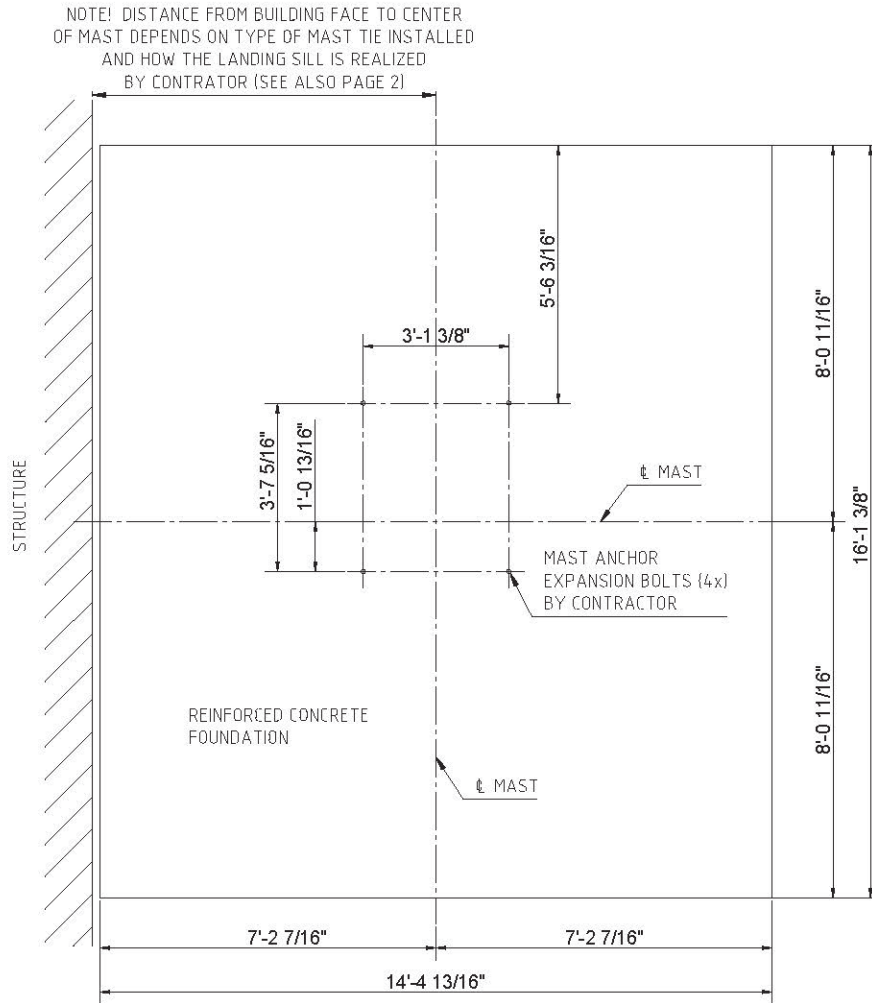


MAST BASE

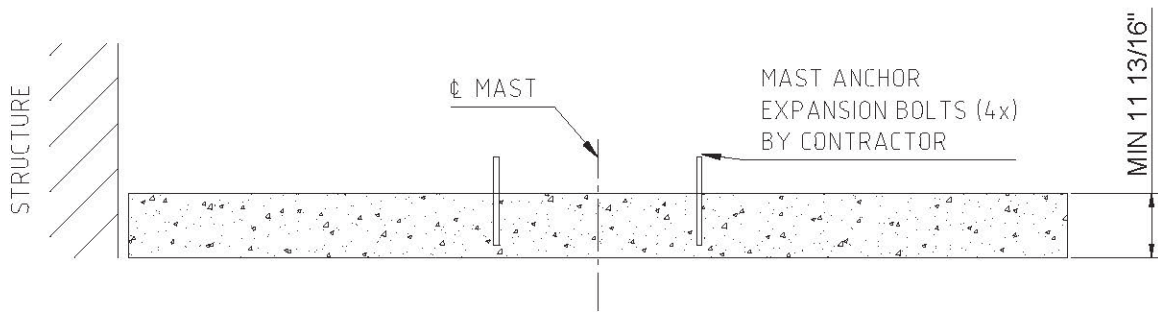


PLEASE SEE GEDA INSTALLATION MANUAL FOR TOTAL LOAD ON BASE FRAME AND BUFFER LOAD.

FOUNDATION PLAN VIEW



FOUNDATION SIDE VIEW



SPECIFICATIONS

MACHINE TECHNICAL DATA SPECS

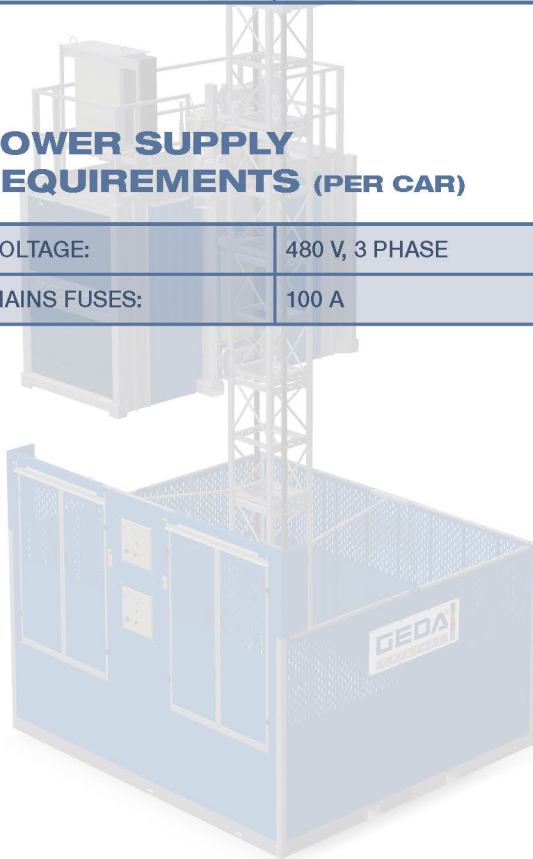
MACHINE TYPE:	GEDA PH6000
CONFIGURATION:	DUAL
CAPACITY:	6000 POUNDS
LIFTING HEIGHT:	VARIABLE (MAX 400m)
RATED SPEED:	196 ft/min.
NUMBER OF MOTORS:	2x19 kW (105 Hz)
MOTOR PACK TYPE:	VFC

COMPONENTS WEIGHT

BASE ENCLOSURE:	3980 LBS
CAR:	3980 LBS
MOTORPACK:	1800 LBS
ROOF CABINET:	575 LBS
MAST SECTION DUAL:	390 LBS
MAST TIE:	230 LBS
CABLE GUIDE	12.5 LBS
CABLE TROLLEY:	165 LBS

POWER SUPPLY REQUIREMENTS (PER CAR)

VOLTAGE:	480 V, 3 PHASE	FREQUENCY:	60 HZ
MAINS FUSES:	100 A	POWER CONSUMPTION	88 kVA



Machinery Directive 2006/42/EG
DIN EN ISO 9001:2008

